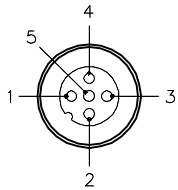
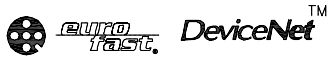


MALE END VIEW

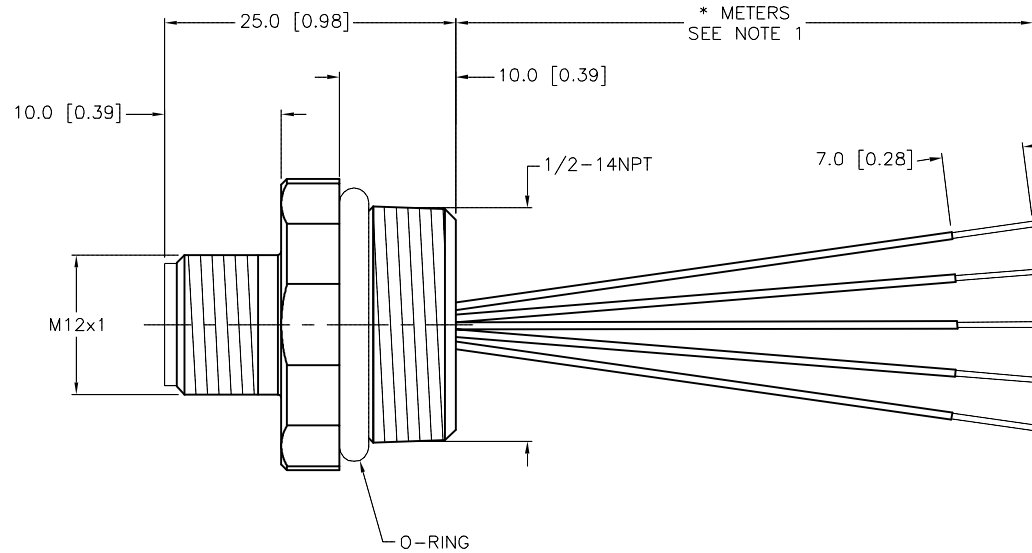
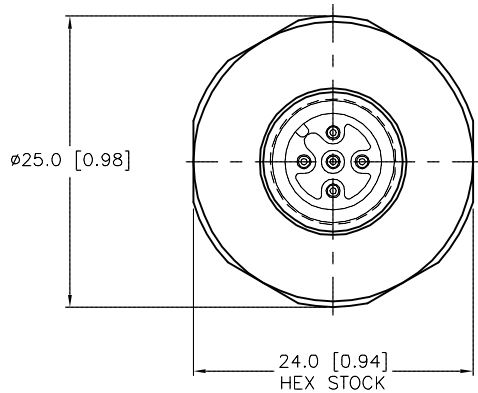


- 1 = GRAY
- 2 = RED (+ VOLTAGE)
- 3 = BLACK (- VOLTAGE)
- 4 = WHITE (CAN\_H)
- 5 = BLUE (CAN\_L)



SPECIFICATIONS

|                                |                                   |
|--------------------------------|-----------------------------------|
| CONTACT CARRIER MATERIAL/COLOR | NYLON OR TPU/BLUE-GRAY            |
| CONTACT MATERIAL/PLATING       | BRASS/GOLD                        |
| HOUSING MATERIAL/FINISH        | 316 STAINLESS STEEL/PASSIVATED    |
| O-RING MATERIAL                | NITRILE (BUNA-N)                  |
| RATED CURRENT [A]              | 4.0 A                             |
| RATED VOLTAGE [V]              | 250 V                             |
| CONDUCTOR INSULATION MATERIAL  | PVC                               |
| NUMBER OF CONDUCTORS [AWG]     | 5x22 AWG                          |
| TEMPERATURE RANGE              | -40°C to +105°C (-40°F to +221°F) |
| PROTECTION CLASS               | MEETS NEMA 1,3,4,6P AND IEC IP68  |



| CABLE LENGTH | TOLERANCE*  |
|--------------|---|
| ALL LENGTHS  | + 4% (OR 50mm) OF LENGTH<br>- 0% (OR 0mm) OF LENGTH<br>WHICHEVER IS GREATER |
| STRIP LENGTH | TOLERANCE*  |
| 0-7mm        | ±0.5mm  |
| 8-29mm       | ±1.0mm  |
| 30-49mm      | ±2.0mm  |
| 50-69mm      | ±3.0mm  |
| 70-100mm     | ±4.0mm  |
| OVER 100mm   | ±5.0mm  |

\*UNLESS OTHERWISE SPECIFIED

NOTES:

- "\*" INDICATES LEAD LENGTH IN METERS. CONTACT TURCK TO ORDER SPECIFIC LENGTHS.
- "/C1285" DESIGNATES MODIFIED NPT HOUSING.

SOURCE DRAWING - FOR REFERENCE ONLY

|                    |   |  |     |   |                    |
|--------------------|---|--|-----|---|--------------------|
| RELATED DOCUMENTS  | 3RD ANGLE PROJECTION  | THIS DRAWING IS CONFIDENTIAL AND THE PROPERTY OF TURCK INC. USE OF THIS DOCUMENT WITHOUT WRITTEN PERMISSION IS PROHIBITED. |     | <p>3000 CAMPUS DRIVE<br/>MINNEAPOLIS, MN 55441<br/>1-800-544-7769<br/>(763) 553-7300<br/>(763) 553-0708 fax<br/>turck.com</p> |                    |
| 1.                 |   | DRFT   | RDS | DATE  | 09/29/08           |
| 2.                 |   | DSGN   |     | SCALE   | 1=.7               |
| 3.                 | ALL DIMENSIONS DISPLAYED ON THIS DRAWING ARE FOR REFERENCE ONLY | UNIT OF MEASUREMENT  |     |   | DESCRIPTION        |
| 4.                 |   | MILLIMETER [ INCH ]  |     |   |                    |
| MATERIAL           | SEE SPECIFICATIONS  | CONTACT TURCK FOR MORE INFORMATION   |     |   | IDENTIFICATION NO. |
| FINISH             |   | DO NOT SCALE THIS DRAWING  |     |   | REV                |
| SEE SPECIFICATIONS |   | FILE: 777022900  |     |   | D                  |
| SEE SPECIFICATIONS |   | SHEET 1 OF 1   |     |   |                    |

|     |  |     |          |         |
|-----|--|-----|----------|---------|
| D   | DRAWING PROCESSED AS PART OF ECO 33971 | CBM | 04/07/11 | 33971   |
| REV | DESCRIPTION                            | BY  | DATE     | ECO NO. |